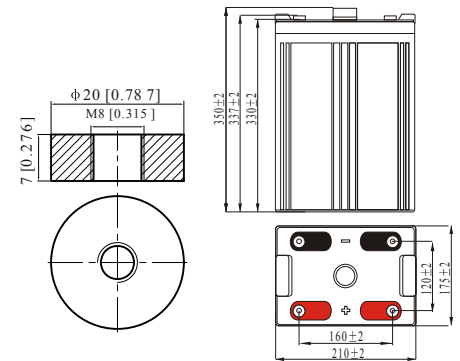


## Specification

Nominal Voltage	2V	
Nominal Capacity(10hrs rate)	400.0AH	
Dimension	Length	210±2mm(8.27 inches)
	Width	175±2mm(6.89 inches)
	Container Height	330±2mm(12.99 inches)
	Total Height (with Terminal)	350±2mm(13.78 inches)
Approx Weight	Approx 27.3Kg (60.2lbs)	
Design Float Life	20 years at 25°C(77°F)	
Container Material	ABS	
Rated Capacity	428.0AH/21.4A	(20hr, 1.80V/cell, 25°C/77°F)
	400.0AH/40.0A	(10hr, 1.80V/cell, 25°C/77°F)
	348.0AH/69.6A	( 5hr, 1.75V/cell, 25°C/77°F)
	312.0AH/104.0A	( 3hr, 1.75V/cell, 25°C/77°F)
	248.0AH/248.0A	( 1hr, 1.60V/cell, 25°C/77°F)
Max. Discharge Current	3200A (5s)	
Internal Resistance	Approx 0.7mΩ	
Operating Temp. Range	Discharge :	-15~50°C (5~120°F)
	Charge :	0~40°C (5~104°F)
	Storage :	-15~40°C (5~104°F)
Nominal Operating Temp. Range	25 ± 3°C (77 ± 5°F)	
Cycle Use	Initial Charging Current less than 120.0A. Voltage	
	2.4V~2.5V at 25°C(77°F)Temp. Coefficient -5mV/°C	
Standby Use	No limit on Initial Charging Current Voltage	
	2.25V~2.3V at 25°C(77°F)Temp. Coefficient -3mV/°C	
Capacity affected by Temperature	40°C (104°F)	103%
	25°C ( 77°F)	100%
	0°C ( 32°F)	86%
Self Discharge	≤1.5% per month	
	RUZET TPG series batteries may be stored for up to 6 months at 25°C(77°F) and then a freshening charge is required.	



## Applications

- UPS and EPS
- Emergency light
- Railway signal and aircraft signal system
- Marine and power stations Alarm and security system
- Electronic apparatus and equipment
- Communication power supply, DC power supply

### Constant Current Discharge (Amperes) at 25°C (77°F)

F.V/Time	10 min	15 min	20 min	30 min	45 min	1h	2h	3h	4h	5h	6h	8h	10h	20h
1.85V/cell	468.0	393.6	349.2	289.6	223.5	191.2	123.8	93.1	76.3	64.2	56.2	45.1	38.8	20.7
1.80V/cell	535.5	442.0	386.1	314.5	241.1	201.8	133.1	100.0	81.1	68.0	59.6	47.5	40.0	21.4
1.75V/cell	608.2	498.1	426.7	341.8	262.9	220.0	138.4	104.0	83.9	69.6	61.4	49.0	41.1	21.9
1.70V/cell	686.9	552.7	471.0	373.2	283.2	232.8	145.8	109.5	87.6	73.6	64.4	51.1	42.7	22.5
1.65V/cell	737.7	591.7	501.0	393.8	299.7	240.8	151.2	113.9	91.1	75.9	66.6	52.8	43.8	23.2
1.60V/cell	811.5	648.1	544.3	420.2	311.5	248.0	155.0	116.8	93.1	77.8	68.0	53.8	44.8	23.6

### Constant Power Discharge (Watts) at 25°C (77°F)

F.V/Time	10 min	15 min	20 min	30 min	45 min	1h	2h	3h	4h	5h	6h	8h	10h	20h
1.85V/cell	832.19	706.95	633.52	531.24	413.33	354.86	231.33	174.57	143.43	121.05	106.29	85.62	73.81	39.43
1.80V/cell	941.24	783.33	690.29	568.19	442.48	372.67	247.05	186.48	151.62	127.62	112.19	89.90	76.00	40.76
1.75V/cell	1052.00	872.10	755.62	612.38	478.00	404.38	255.90	193.24	156.38	130.19	115.33	92.67	78.00	41.71
1.70V/cell	1161.52	954.29	827.81	664.95	512.95	426.48	269.05	202.95	163.05	137.52	120.67	96.48	80.95	42.76
1.65V/cell	1236.10	1014.00	874.19	696.00	538.10	438.00	277.33	210.29	168.86	141.33	124.48	99.52	83.05	44.00
1.60V/cell	1329.14	1092.38	939.43	737.62	556.19	448.76	283.05	214.67	172.10	144.29	126.76	100.95	84.67	44.67