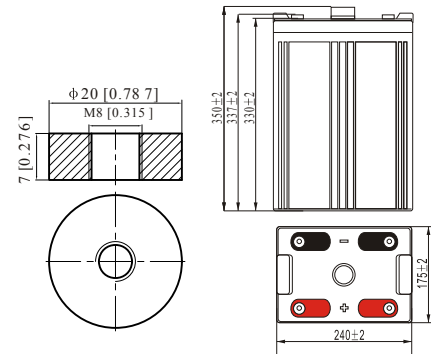


Specification

Nominal Voltage	2V	
Nominal Capacity(10hrs rate)	500.0AH	
Dimension	Length	240 ± 2mm(9.45 inches)
	Width	175 ± 2mm(6.89 inches)
	Container Height	330 ± 2mm(12.99 inches)
	Total Height (with Terminal)	350 ± 2mm(13.78 inches)
Approx Weight	Approx 33.5Kg (73.9lbs)	
Design Float Life	20 years at 25°C(77°F)	
Container Material	ABS	
Rated Capacity	535.0AH/26.8A	(20hr, 1.80V/cell, 25°C/77°F)
	500.0AH/50.0A	(10hr, 1.80V/cell, 25°C/77°F)
	435.5AH/87.0A	(5hr, 1.75V/cell, 25°C/77°F)
	390.0AH/130.0A	(3hr, 1.75V/cell, 25°C/77°F)
	310.0AH/310.0A	(1hr, 1.60V/cell, 25°C/77°F)
Max. Discharge Current	4000A (5s)	
Internal Resistance	Approx 0.60mΩ	
Operating Temp.Range	Discharge :	-15~50°C (5~120°F)
	Charge :	0~40°C (5~104°F)
	Storage :	-15~40°C (5~104°F)
Nominal Operating Temp. Range	25 ± 3°C (77 ± 5°F)	
Cycle Use	Initial Charging Current less than 150.0A.Voltage	
	2.4V~2.5V at 25°C(77°F)Temp. Coefficient -5mV/°C	
Standby Use	No limit on Initial Charging Current Voltage	
	2.25V~2.3V at 25°C(77°F)Temp. Coefficient -3mV/°C	
Capacity affected by Temperature	40°C (104°F)	103%
	25°C (77°F)	100%
	0°C (32°F)	86%
Self Discharge	≤1.5% per month	
	RUZET TPA series batteries may be stored for up to 6 months at 25°C(77°F) and then a freshening charge is required.	



Applications

- UPS and EPS
- Emergency light
- Railway signal and aircraft signal system
- Marine and power stations Alarm and security system
- Electronic apparatus and equipment
- Communication power supply, DC power supply

Constant Current Discharge (Amperes) at 25°C (77°F)

F.V/Time	10 min	15 min	20 min	30 min	45 min	1h	2h	3h	4h	5h	6h	8h	10h	20h
1.85V/cell	585.0	492.0	436.5	362.0	279.3	239.0	154.8	116.4	95.3	80.2	70.3	56.4	48.5	25.9
1.80V/cell	669.4	552.5	482.6	393.2	301.3	252.3	166.4	125.0	101.3	85.0	74.4	59.3	50.0	26.8
1.75V/cell	760.3	622.7	533.3	427.3	328.7	275.0	173.0	130.0	104.8	87.0	76.8	61.3	51.3	27.4
1.70V/cell	858.6	690.8	588.7	466.5	354.0	291.0	182.3	136.8	109.5	92.0	80.5	63.9	53.3	28.1
1.65V/cell	922.1	739.7	626.3	492.3	374.7	301.0	189.0	142.3	113.8	94.9	83.3	66.0	54.8	29.0
1.60V/cell	\	810.1	680.4	525.3	389.3	310.0	193.8	146.0	116.4	97.2	85.0	67.2	56.0	29.5

Constant Power Discharge (Watts) at 25°C (77°F)

F.V/Time	10 min	15 min	20 min	30 min	45 min	1h	2h	3h	4h	5h	6h	8h	10h	20h
1.85V/cell	1092.3	927.9	831.5	697.2	542.5	465.8	303.6	229.1	188.3	158.8	139.5	112.4	96.9	51.7
1.80V/cell	1235.3	1028.1	906.0	745.8	580.7	489.1	324.2	244.8	199.1	167.6	147.2	117.9	99.8	53.4
1.75V/cell	1380.8	1144.7	991.7	803.8	627.4	530.7	335.9	253.6	205.2	170.9	151.4	121.6	102.4	54.7
1.70V/cell	1524.5	1252.5	1086.6	872.8	673.3	559.8	353.2	266.4	214.0	180.5	158.4	126.6	106.2	56.1
1.65V/cell	1622.3	1330.8	1147.4	913.5	706.2	574.9	364.0	275.9	221.6	185.5	163.4	130.6	109.0	57.8
1.60V/cell	\	1433.8	1233.0	968.1	730.0	589.0	371.5	281.8	225.8	189.4	166.3	132.6	111.1	58.6