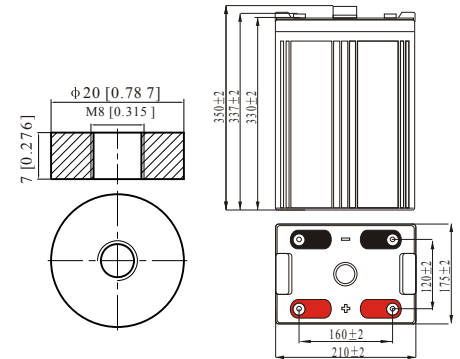


Specification

Nominal Voltage	2V	
Nominal Capacity(10hrs rate)	450.0AH	
Dimension	Length	210 ± 2mm(8.27 inches)
	Width	175 ± 2mm(6.89 inches)
	Container Height	330 ± 2mm(12.99 inches)
	Total Height (with Terminal)	350 ± 2mm(13.78 inches)
	Approx Weight	Approx 28.5Kg (62.8lbs)
Design Float Life	20 years at 25°C(77°F)	
Container Material	ABS	
Rated Capacity	481.5AH/24.1A	(20hr, 1.80V/cell, 25°C/77°F)
	450.0AH/45.0A	(10hr, 1.80V/cell, 25°C/77°F)
	391.5AH/78.3A	(5hr, 1.75V/cell, 25°C/77°F)
	351.0AH/117.0A	(3hr, 1.75V/cell, 25°C/77°F)
	279.0AH/279.0A	(1hr, 1.60V/cell, 25°C/77°F)
Max. Discharge Current	3600A (5s)	
Internal Resistance	Approx 0.65mΩ	
Operating Temp.Range	Discharge :	-15~50°C (5~120°F)
	Charge :	0~40°C (5~104°F)
	Storage :	-15~40°C (5~104°F)
Nominal Operating Temp. Range	25 ± 3°C (77 ± 5°F)	
Cycle Use	Initial Charging Current less than 135.0A.Voltage	
	2.4V~2.5V at 25°C(77°F)Temp. Coefficient -5mV/°C	
Standby Use	No limit on Initial Charging Current Voltage	
	2.25V~2.3V at 25°C(77°F)Temp. Coefficient -3mV/°C	
Capacity affected by Temperature	40°C (104°F)	103%
	25°C (77°F)	100%
	0°C (32°F)	86%
	≤1.5% per month	
Self Discharge	RUZET TPA series batteries may be stored for up to 6 months at 25°C(77°F) and then a freshening charge is required.	



Applications

- UPS and EPS
- Emergency light
- Railway signal and aircraft signal system
- Marine and power stations Alarm and security system
- Electronic apparatus and equipment
- Communication power supply, DC power supply

Constant Current Discharge (Amperes) at 25°C (77°F)

F.V/Time	10 min	15 min	20 min	30 min	45 min	1h	2h	3h	4h	5h	6h	8h	10h	20h
1.85V/cell	526.5	442.8	392.9	325.8	251.4	215.1	139.3	104.7	85.8	72.2	63.2	50.7	43.6	23.3
1.80V/cell	602.4	497.2	434.3	353.9	271.2	227.0	149.7	112.5	91.2	76.5	67.0	53.4	45.0	24.1
1.75V/cell	684.2	560.4	480.0	384.5	295.8	247.5	155.7	117.0	94.3	78.3	69.1	55.2	46.2	24.7
1.70V/cell	772.8	621.8	529.8	419.8	318.6	261.9	164.0	123.2	98.6	82.8	72.4	57.5	48.0	25.3
1.65V/cell	829.9	665.7	563.7	443.0	337.2	270.9	170.1	128.1	102.4	85.4	74.9	59.4	49.3	26.1
1.60V/cell	912.9	729.1	612.3	472.7	350.4	279.0	174.4	131.4	104.7	87.5	76.5	60.5	50.4	26.5

Constant Power Discharge (Watts) at 25°C (77°F)

F.V/Time	10 min	15 min	20 min	30 min	45 min	1h	2h	3h	4h	5h	6h	8h	10h	20h
1.85V/cell	983.1	835.1	748.4	627.5	488.3	419.2	273.3	206.2	169.4	142.9	125.6	101.2	87.2	46.6
1.80V/cell	1111.8	925.3	815.4	671.2	522.7	440.2	291.8	220.3	179.2	150.8	132.5	106.1	89.8	48.1
1.75V/cell	1242.7	1030.2	892.6	723.4	564.7	477.6	302.3	228.2	184.7	153.8	136.2	109.5	92.1	49.3
1.70V/cell	1372.1	1127.2	977.9	785.5	606.0	503.8	317.8	239.8	192.6	162.4	142.6	114.0	95.6	50.5
1.65V/cell	1460.1	1197.7	1032.6	822.2	635.6	517.4	327.6	248.3	199.5	167.0	147.1	117.5	98.1	52.0
1.60V/cell	1570.1	1290.4	1109.7	871.3	657.0	530.1	334.3	253.6	203.3	170.4	149.7	119.3	100.0	52.8