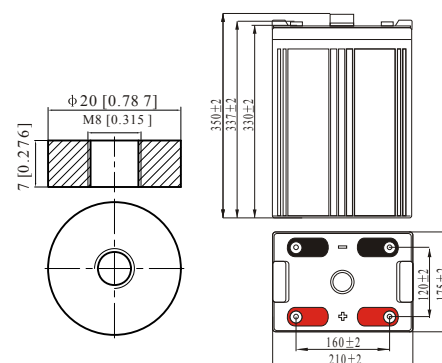


Specification

Nominal Voltage	2V	
Nominal Capacity(10hrs rate)	400.0AH	
Dimension	Length	210±2mm(8.27 inches)
	Width	175±2mm(6.89 inches)
	Container Height	330±2mm(12.99 inches)
	Total Height (with Terminal)	350±2mm(13.78 inches)
Approx Weight	Approx 27.3Kg (60.2lbs)	
Design Float Life	20 years at 25°C(77°F)	
Container Material	ABS	
Rated Capacity	428.0AH/21.4A	(20hr, 1.80V/cell, 25°C/77°F)
	400.0AH/40.0A	(10hr, 1.80V/cell, 25°C/77°F)
	348.0AH/69.6A	(5hr, 1.75V/cell, 25°C/77°F)
	312.0AH/104.0A	(3hr, 1.75V/cell, 25°C/77°F)
	248.0AH/248.0A	(1hr, 1.60V/cell, 25°C/77°F)
Max. Discharge Current	3200A (5s)	
Internal Resistance	Approx 0.7mΩ	
Operating Temp. Range	Discharge :	-15~50°C (5~120°F)
	Charge :	0~40°C (5~104°F)
	Storage :	-15~40°C (5~104°F)
Nominal Operating Temp. Range	25 ± 3°C (77 ± 5°F)	
Cycle Use	Initial Charging Current less than 120.0A. Voltage	
	2.4V~2.5V at 25°C(77°F)Temp. Coefficient -5mV/°C	
Standby Use	No limit on Initial Charging Current Voltage	
	2.25V~2.3V at 25°C(77°F)Temp. Coefficient -3mV/°C	
Capacity affected by Temperature	40°C (104°F)	103%
	25°C (77°F)	100%
	0°C (32°F)	86%
Self Discharge	≤1.5% per month	
	RUZET TPA series batteries may be stored for up to 6 months at 25°C(77°F) and then a freshening charge is required.	



Applications

- UPS and EPS
- Emergency light
- Railway signal and aircraft signal system
- Marine and power stations Alarm and security system
- Electronic apparatus and equipment
- Communication power supply, DC power supply

Constant Current Discharge (Amperes) at 25°C (77°F)

F.V/Time	10 min	15 min	20 min	30 min	45 min	1h	2h	3h	4h	5h	6h	8h	10h	20h
1.85V/cell	468.0	393.6	349.2	289.6	223.5	191.2	123.8	93.1	76.3	64.2	56.2	45.1	38.8	20.7
1.80V/cell	535.5	442.0	386.1	314.5	241.1	201.8	133.1	100.0	81.1	68.0	59.6	47.5	40.0	21.4
1.75V/cell	608.2	498.1	426.7	341.8	262.9	220.0	138.4	104.0	83.9	69.6	61.4	49.0	41.1	21.9
1.70V/cell	686.9	552.7	471.0	373.2	283.2	232.8	145.8	109.5	87.6	73.6	64.4	51.1	42.7	22.5
1.65V/cell	737.7	591.7	501.0	393.8	299.7	240.8	151.2	113.9	91.1	75.9	66.6	52.8	43.8	23.2
1.60V/cell	811.5	648.1	544.3	420.2	311.5	248.0	155.0	116.8	93.1	77.8	68.0	53.8	44.8	23.6

Constant Power Discharge (Watts) at 25°C (77°F)

F.V/Time	10 min	15 min	20 min	30 min	45 min	1h	2h	3h	4h	5h	6h	8h	10h	20h
1.85V/cell	873.8	742.3	665.2	557.8	434.0	372.6	242.9	183.3	150.6	127.1	111.6	89.9	77.5	41.4
1.80V/cell	988.3	822.5	724.8	596.6	464.6	391.3	259.4	195.8	159.2	134.0	117.8	94.4	79.8	42.8
1.75V/cell	1104.6	915.7	793.4	643.0	501.9	424.6	268.7	202.9	164.2	136.7	121.1	97.3	81.9	43.8
1.70V/cell	1219.6	1002.0	869.2	698.2	538.6	447.8	282.5	213.1	171.2	144.4	126.7	101.3	85.0	44.9
1.65V/cell	1297.9	1064.7	917.9	730.8	565.0	459.9	291.2	220.8	177.3	148.4	130.7	104.5	87.2	46.2
1.60V/cell	1395.6	1147.0	986.4	774.5	584.0	471.2	297.2	225.4	180.7	151.5	133.1	106.0	88.9	46.9