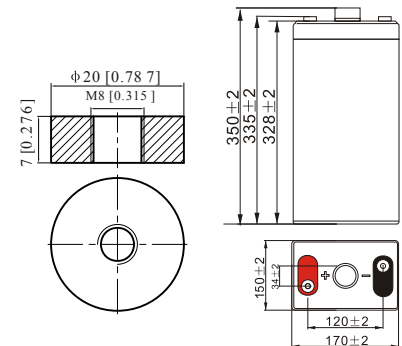


### Specification

Nominal Voltage	2V	
Nominal Capacity(10hrs rate)	300.0AH	
Dimension	Length	170 ± 2mm(6.69 inches)
	Width	150 ± 2mm(5.90 inches)
	Container Height	328 ± 2mm(12.91 inches)
	Total Height (with Terminal)	350 ± 2mm(13.78 inches)
Approx Weight	Approx 20.2Kg (44.5lbs)	
Design Float Life	20 years at 25°C(77°F)	
Container Material	ABS	
Rated Capacity	322.0AH/16.1A	(20hr, 1.80V/cell, 25°C/77°F)
	300.0AH/30.0A	(10hr, 1.80V/cell, 25°C/77°F)
	261.0AH/52.2A	(5hr, 1.75V/cell, 25°C/77°F)
	234.0AH/78.0A	(3hr, 1.75V/cell, 25°C/77°F)
	186.0AH/186.0A	(1hr, 1.60V/cell, 25°C/77°F)
Max. Discharge Current	2400A (5s)	
Internal Resistance	Approx 0.9mΩ	
Operating Temp. Range	Discharge :	-15~50°C (5~120°F)
	Charge :	0~40°C (5~104°F)
	Storage :	-15~40°C (5~104°F)
Nominal Operating Temp. Range	25 ± 3°C (77 ± 5°F)	
Cycle Use	Initial Charging Current less than 90.0A. Voltage 2.4V~2.5V at 25°C(77°F)Temp. Coefficient -5mV/°C	
	Standby Use	
Capacity affected by Temperature	No limit on Initial Charging Current Voltage	
	2.25V~2.3V at 25°C(77°F)Temp. Coefficient -3mV/°C	
	40°C (104°F)	103%
	25°C (77°F)	100%
Self Discharge	0°C (32°F)	86%
	≤1.5% per month	
	RUZET TPA series batteries may be stored for up to 6 months at 25°C(77°F) and then a freshening charge is required.	



### Applications

- UPS and EPS
- Emergency light
- Railway signal and aircraft signal system
- Marine and power stations Alarm and security system
- Electronic apparatus and equipment
- Communication power supply, DC power supply

### Constant Current Discharge (Amperes) at 25°C (77°F)

F.V/Time	10 min	15 min	20 min	30 min	45 min	1h	2h	3h	4h	5h	6h	8h	10h	20h
1.85V/cell	351.0	295.2	261.9	217.2	167.6	143.4	92.9	69.8	57.2	48.1	42.2	33.8	29.1	15.5
1.80V/cell	401.6	331.5	289.6	235.9	180.8	151.4	99.8	75.0	60.8	51.0	44.7	35.6	30.0	16.1
1.75V/cell	456.2	373.6	320.0	256.4	197.2	165.0	103.8	78.0	62.9	52.2	46.1	36.8	30.8	16.5
1.70V/cell	\	414.5	353.2	279.9	212.4	174.6	109.4	82.1	65.7	55.2	48.3	38.3	32.0	16.9
1.65V/cell	\	443.8	375.8	295.4	224.8	180.6	113.4	85.4	68.3	56.9	50.0	39.6	32.9	17.4
1.60V/cell	\	486.1	408.2	315.2	233.6	186.0	116.3	87.6	69.8	58.3	51.0	40.3	33.6	17.7

### Constant Power Discharge (Watts) at 25°C (77°F)

F.V/Time	10 min	15 min	20 min	30 min	45 min	1h	2h	3h	4h	5h	6h	8h	10h	20h
1.85V/cell	655.4	556.7	498.9	418.3	325.5	279.5	182.2	137.5	113.0	95.3	83.7	67.5	58.1	31.0
1.80V/cell	741.2	616.9	543.6	447.5	348.4	293.4	194.5	146.9	119.4	100.5	88.3	70.8	59.9	32.1
1.75V/cell	828.5	686.8	595.0	482.3	376.5	318.4	201.6	152.1	123.1	102.6	90.8	73.0	61.4	32.8
1.70V/cell	\	751.5	651.9	523.7	404.0	335.9	211.9	159.8	128.4	108.3	95.0	76.0	63.7	33.7
1.65V/cell	\	798.5	688.4	548.1	423.7	344.9	218.4	165.6	133.0	111.3	98.1	78.3	65.4	34.7
1.60V/cell	\	860.3	739.8	580.8	438.0	353.4	222.9	169.1	135.5	113.6	99.8	79.5	66.7	35.2