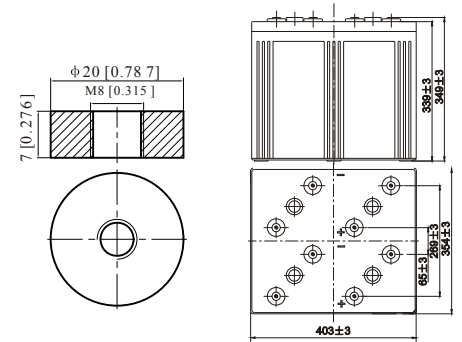


Specification

Nominal Voltage	2V	
Nominal Capacity(10hrs rate)	1800.0AH	
Dimension	Length	403 ± 3mm (15.87 inches)
	Width	354 ± 3mm (13.94 inches)
	Container Height	339 ± 3mm (13.35 inches)
	Total Height (with Terminal)	349 ± 3mm (13.74 inches)
Approx Weight	Approx 118.5Kg (261.3lbs)	
Design Float Life	20 years at 25°C (77°F)	
Container Material	ABS	
Rated Capacity	1926.0AH/96.3A	(20hr, 1.80V/cell, 25°C/77°F)
	1800.0AH/180.0A	(10hr, 1.80V/cell, 25°C/77°F)
	1566.0AH/313.2A	(5hr, 1.75V/cell, 25°C/77°F)
	1404.0AH/468.0A	(3hr, 1.75V/cell, 25°C/77°F)
	1116.0AH/1116.0A	(1hr, 1.60V/cell, 25°C/77°F)
Max. Discharge Current	14400A (5s)	
Internal Resistance	Approx 0.30mΩ	
Operating Temp. Range	Discharge :	-15~50°C (5~120°F)
	Charge :	0~40°C (5~104°F)
	Storage :	-15~40°C (5~104°F)
Nominal Operating Temp. Range	25 ± 3°C (77 ± 5°F)	
Cycle Use	Initial Charging Current less than 540.0A. Voltage 2.4V~2.5V at 25°C (77°F) Temp. Coefficient -5mV/°C	
	Standby Use No limit on Initial Charging Current Voltage 2.25V~2.3V at 25°C (77°F) Temp. Coefficient -3mV/°C	
Capacity affected by Temperature	40°C (104°F)	103%
	25°C (77°F)	100%
	0°C (32°F)	86%
Self Discharge	≤1.5% per month	
	RUZET TPA series batteries may be stored for up to 6 months at 25°C (77°F) and then a freshening charge is required.	



Applications

- UPS and EPS
- Emergency light
- Railway signal and aircraft signal system
- Marine and power stations Alarm and security system
- Electronic apparatus and equipment
- Communication power supply, DC power supply

Constant Current Discharge (Amperes) at 25°C (77°F)

F.V/Time	10 min	15 min	20 min	30 min	45 min	1h	2h	3h	4h	5h	6h	8h	10h	20h
1.85V/cell	\	1771.2	1571.4	1303.2	1005.6	860.4	557.1	418.9	343.1	288.7	252.9	202.9	174.4	93.1
1.80V/cell	\	\	1737.3	1415.5	1084.8	908.2	598.9	450.0	364.7	306.0	268.0	213.5	180.0	96.3
1.75V/cell	\	\	1920.0	1538.1	1183.2	990.0	622.8	468.0	377.3	313.2	276.4	220.7	184.8	98.7
1.70V/cell	\	\	\	1679.3	1274.4	1047.6	656.1	492.6	394.2	331.2	289.6	230.0	191.9	101.3
1.65V/cell	\	\	\	1772.1	1348.8	1083.6	680.2	512.4	409.8	341.6	299.7	237.8	197.3	104.4
1.60V/cell	\	\	\	1891.0	1401.6	1116.0	697.5	525.6	418.9	350.0	306.0	241.9	201.5	106.1

Constant Power Discharge (Watts) at 25°C (77°F)

F.V/Time	10 min	15 min	20 min	30 min	45 min	1h	2h	3h	4h	5h	6h	8h	10h	20h
1.85V/cell	\	3340.5	2993.5	2510.0	1953.1	1676.8	1093.0	824.9	677.8	571.7	502.3	404.7	348.7	186.2
1.80V/cell	\	\	3261.5	2684.8	2090.6	1760.6	1167.2	881.2	716.6	603.2	530.1	424.6	359.3	192.4
1.75V/cell	\	\	3570.3	2893.7	2258.7	1910.5	1209.4	912.9	738.8	615.3	545.0	437.8	368.5	197.0
1.70V/cell	\	\	\	3141.9	2423.9	2015.3	1271.4	959.1	770.4	649.6	570.3	455.8	382.4	201.9
1.65V/cell	\	\	\	3288.7	2542.5	2069.7	1310.5	993.4	797.8	667.8	588.3	470.0	392.5	208.0
1.60V/cell	\	\	\	3485.1	2628.0	2120.4	1337.4	1014.4	813.0	681.8	598.8	477.2	400.0	211.0