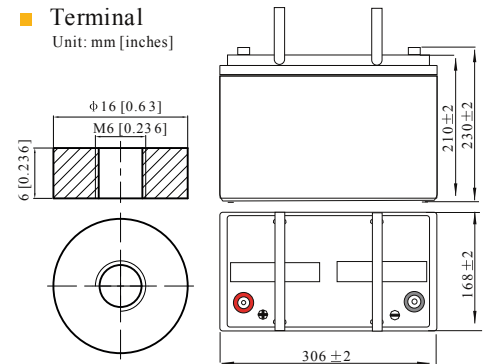


Specification

Nominal Voltage	12V	
Nominal Capacity(10hrs rate)	90.0AH	
Dimension	Length	306 ±2mm(12.05inches)
	Width	168 ±2mm(6.61inches)
	Container Height	210± 2mm(8.27 inches)
	Total Height (with Terminal)	230± 2mm(9.06 inches)
Approx Weight	Approx 30 Kg (66.2 lbs)	
Design Float Life	12 years at 25°C(77°F)	
Container Material	ABS	
Rated Capacity	96.3AH/4.815A	(20hr, 1.80V/cell, 25°C/77°F)
	90.0AH/9.00A	(10hr, 1.80V/cell, 25°C/77°F)
	78.3AH/15.66A	(5hr, 1.75V/cell, 25°C/77°F)
	70.2AH/23.4A	(3hr, 1.75V/cell, 25°C/77°F)
Max. Discharge Current	1080A (5s)	
	Internal Resistance	
Operating Temp. Range	Discharge :	-15~50°C (5~120°F)
	Charge :	0~40°C (5~104°F)
	Storage :	-15~40°C (5~104°F)
Nominal Operating Temp. Range	25 ± 3°C (77 ± 5°F)	
Cycle Use	Initial Charging Current less than 22.5A. Voltage	
	14.4V~15.0V at 25°C(77°F)Temp. Coefficient -30mV/°C	
Standby Use	No limit on Initial Charging Current Voltage	
	13.5V~13.8V at 25°C(77°F)Temp. Coefficient -20mV/°C	
Capacity affected by Temperature	40°C (104°F)	103%
	25°C (77°F)	100%
	0°C (32°F)	86%
Self Discharge	≤1.5% per month	
	RUZET LPG series batteries may be stored for up to 6 months at 25°C(77°F) and then a freshening charge is required.	



Terminal
Unit: mm [inches]



- UPS and EPS
- Emergency light
- Railway signal and aircraft signal system
- Marine and power stations Alarm and security system
- Electronic apparatus and equipment
- Communication power supply, DC power supply

Constant Current Discharge (Amperes) at 25°C (77°F)

F.V/Time	10 min	15 min	20 min	30 min	45 min	1h	2h	3h	4h	5h	6h	8h	10h	20h
1.85V/cell	105.3	88.6	78.6	65.2	50.3	43.0	27.9	20.9	17.2	14.4	12.6	10.1	8.72	4.65
1.80V/cell	120.5	99.4	86.9	70.8	54.2	45.4	29.9	22.5	18.2	15.3	13.4	10.7	9.00	4.82
1.75V/cell	136.8	112.1	96.0	76.9	59.2	49.5	31.1	23.4	18.9	15.7	13.8	11.0	9.24	4.94
1.70V/cell	154.6	124.4	106.0	84.0	63.7	52.4	32.8	24.6	19.7	16.6	14.5	11.5	9.60	5.06
1.65V/cell	166.0	133.1	112.7	88.6	67.4	54.2	34.0	25.6	20.5	17.1	15.0	11.9	9.87	5.22
1.60V/cell	182.6	145.8	122.5	94.5	70.1	55.8	34.9	26.3	20.9	17.5	15.3	12.1	10.1	5.30

Constant Power Discharge (Watts) at 25°C (77°F)

F.V/Time	10 min	15 min	20 min	30 min	45 min	1h	2h	3h	4h	5h	6h	8h	10h	20h
1.85V/cell	187.2	159.1	142.6	119.5	93.1	79.8	52.1	39.2	32.3	27.2	23.9	19.2	16.6	8.87
1.80V/cell	211.8	176.3	155.3	127.8	99.5	83.8	55.6	42.0	34.1	28.8	25.2	20.2	17.1	9.16
1.75V/cell	236.7	196.2	170.0	137.8	107.5	91.0	57.6	43.4	35.1	29.3	25.9	20.9	17.5	9.38
1.70V/cell	261.3	214.7	186.3	149.6	115.4	96.0	60.6	45.7	36.7	31.0	27.1	21.7	18.2	9.62
1.65V/cell	278.1	228.1	196.7	156.6	121.1	98.6	62.4	47.3	38.0	31.8	28.0	22.4	18.7	9.90
1.60V/cell	299.1	245.8	211.3	166.0	125.1	101.0	63.7	48.3	38.8	32.5	28.5	22.8	19.1	10.1