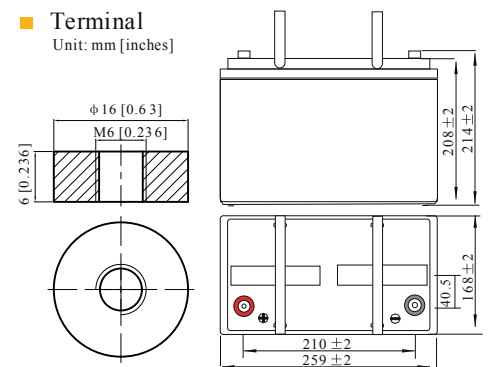


### Specification

Nominal Voltage	12V	
Nominal Capacity(10hrs rate)	75.0AH	
Dimension	Length	259± 2mm(10.20inches)
	Width	168 ±2mm(6.61inches)
	Container Height	208± 2mm(8.19 inches)
	Total Height (with Terminal)	214± 2mm(8.43 inches)
Approx Weight	Approx 23.0 Kg (50.7 lbs)	
Design Float Life	12 years at 25°C(77°F)	
Container Material	ABS	
Rated Capacity	80.2AH/4.01A	(20hr, 1.80V/cell, 25°C/77°F)
	75.0AH/7.50A	(10hr, 1.80V/cell, 25°C/77°F)
	65.3AH/13.05A	( 5hr, 1.75V/cell, 25°C/77°F)
	58.5AH/19.5A	( 3hr, 1.75V/cell, 25°C/77°F)
	46.5AH/46.5A	( 1hr, 1.60V/cell, 25°C/77°F)
Max. Discharge Current	900A (5s)	
Internal Resistance	Approx 5.4mΩ	
Operating Temp.Range	Discharge :	-15~50°C (5~120°F)
	Charge :	0~40°C (5~104°F)
	Storage :	-15~40°C (5~104°F)
Nominal Operating Temp. Range	25 ± 3°C ( 77 ± 5°F )	
Cycle Use	Initial Charging Current less than 22.5A.Voltage	
	14.4V~15.0V at 25°C(77°F)Temp. Coefficient -30mV/°C	
Standby Use	No limit on Initial Charging Current Voltage	
	13.5V~13.8V at 25°C(77°F)Temp. Coefficient -20mV/°C	
Capacity affected by Temperature	40°C (104°F)	103%
	25°C ( 77°F)	100%
	0°C ( 32°F)	86%
Self Discharge	≤1.5% per month	
	RUZET LPG series batteries may be stored for up to 6 months at 25°C(77°F) and then a freshening charge is required.	



### Applications

- UPS and EPS
- Emergency light
- Railway signal and aircraft signal system
- Marine and power stations Alarm and security system
- Electronic apparatus and equipment
- Communication power supply, DC power supply

### Constant Current Discharge (Amperes) at 25°C (77°F)

F.V/Time	10 min	15 min	20 min	30 min	45 min	1h	2h	3h	4h	5h	6h	8h	10h	20h
1.85V/cell	87.8	73.8	65.5	54.3	41.9	35.9	23.2	17.5	14.3	12.0	10.5	8.46	7.27	3.88
1.80V/cell	100.4	82.9	72.4	59.0	45.2	37.8	25.0	18.8	15.2	12.8	11.2	8.90	7.50	4.01
1.75V/cell	114.0	93.4	80.0	64.1	49.3	41.3	26.0	19.5	15.7	13.1	11.5	9.20	7.70	4.11
1.70V/cell	128.8	103.6	88.3	70.0	53.1	43.7	27.3	20.5	16.4	13.8	12.1	9.58	8.00	4.22
1.65V/cell	138.3	111.0	93.9	73.8	56.2	45.2	28.3	21.4	17.1	14.2	12.5	9.91	8.22	4.35
1.60V/cell	152.2	121.5	102.1	78.8	58.4	46.5	29.1	21.9	17.5	14.6	12.8	10.1	8.39	4.42

### Constant Power Discharge (Watts) at 25°C (77°F)

F.V/Time	10 min	15 min	20 min	30 min	45 min	1h	2h	3h	4h	5h	6h	8h	10h	20h
1.85V/cell	156.0	132.6	118.8	99.6	77.5	66.6	43.3	32.8	26.9	22.7	19.9	16.1	13.8	7.39
1.80V/cell	176.5	146.9	129.4	106.6	83.0	69.9	46.3	35.0	28.5	23.9	21.1	16.9	14.3	7.64
1.75V/cell	197.2	163.5	141.7	114.9	89.6	75.8	48.0	36.2	29.3	24.4	21.6	17.3	14.7	7.82
1.70V/cell	217.8	179.0	155.2	124.7	96.2	80.0	50.5	38.1	30.6	25.8	22.7	18.1	15.1	8.01
1.65V/cell	231.7	190.1	163.9	130.5	100.9	82.1	52.0	39.4	31.6	26.5	23.3	18.7	15.6	8.26
1.60V/cell	249.2	204.9	176.2	138.3	104.3	84.2	53.1	40.3	32.3	27.1	23.8	19.0	15.9	8.37