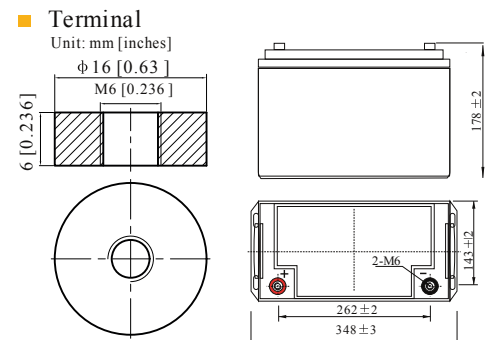


## Specification

Nominal Voltage	12V	
Nominal Capacity(10hrs rate)	65.0AH	
Dimension	Length	348 ± 3mm(13.70 inches)
	Width	167 ± 2mm(6.57 inches)
	Container Height	178 ± 2mm(7.01 inches)
	Total Height (with Terminal)	178 ± 2mm(7.01 inches)
	Approx Weight	Approx 21.0 Kg (46.3 lbs)
Design Float Life	12 years at 25°C(77°F)	
Container Material	ABS	
Rated Capacity	69.5AH/3.48A	(20hr, 1.80V/cell, 25°C/77°F)
	65.0AH/6.50A	(10hr, 1.80V/cell, 25°C/77°F)
	56.5AH/11.3A	( 5hr, 1.75V/cell, 25°C/77°F)
	50.7AH/16.9A	( 3hr, 1.75V/cell, 25°C/77°F)
	40.3AH/40.3A	( 1hr, 1.60V/cell, 25°C/77°F)
Max. Discharge Current	780A (5s)	
Internal Resistance	Approx 5.6mΩ	
Operating Temp.Range	Discharge :	-15~50°C (5~120°F)
	Charge :	0~40°C (5~104°F)
	Storage :	-15~40°C (5~104°F)
Nominal Operating Temp. Range	25 ± 3°C ( 77 ± 5°F )	
Cycle Use	Initial Charging Current less than 19.5A.Voltage	
	14.4V~15.0V at 25°C(77°F)Temp. Coefficient -30mV/°C	
Standby Use	No limit on Initial Charging Current Voltage	
	13.5V~13.8V at 25°C(77°F)Temp. Coefficient -20mV/°C	
Capacity affected by Temperature	40°C (104°F)	103%
	25°C ( 77°F)	100%
	0°C ( 32°F)	86%
Self Discharge	≤1.5% per month	
	RUZET LPG series batteries may be stored for up to 6 months at 25°C(77°F) and then a freshening charge is required.	



## Applications

- UPS and EPS
- Emergency light
- Railway signal and aircraft signal system
- Marine and power stations Alarm and security system
- Electronic apparatus and equipment
- Communication power supply, DC power supply

### Constant Current Discharge (Amperes) at 25°C (77°F)

F.V/Time	10 min	15 min	20 min	30 min	45 min	1h	2h	3h	4h	5h	6h	8h	10h	20h
1.85V/cell	76.1	64.0	56.7	47.1	36.3	31.1	20.1	15.1	12.4	10.4	9.13	7.33	6.30	3.36
1.80V/cell	87.0	71.8	62.7	51.1	39.2	32.8	21.6	16.3	13.2	11.1	9.68	7.71	6.50	3.48
1.75V/cell	98.8	80.9	69.3	55.5	42.7	35.8	22.5	16.9	13.6	11.3	10.0	7.97	6.67	3.57
1.70V/cell	111.6	89.8	76.5	60.6	46.0	37.8	23.7	17.8	14.2	12.0	10.5	8.30	6.93	3.66
1.65V/cell	119.9	96.2	81.4	64.0	48.7	39.1	24.6	18.5	14.8	12.3	10.8	8.59	7.13	3.77
1.60V/cell	131.9	105.3	88.4	68.3	50.6	40.3	25.2	19.0	15.1	12.6	11.1	8.73	7.27	3.83

### Constant Power Discharge (Watts) at 25°C (77°F)

F.V/Time	10 min	15 min	20 min	30 min	45 min	1h	2h	3h	4h	5h	6h	8h	10h	20h
1.85V/cell	135.2	114.9	103.0	86.3	67.1	57.7	37.6	28.4	23.3	19.6	17.2	13.9	12.0	6.4
1.80V/cell	153.0	127.3	112.2	92.4	71.9	60.6	40.1	30.3	24.7	20.7	18.2	14.6	12.4	6.6
1.75V/cell	171.0	141.7	122.8	99.5	77.7	65.7	41.6	31.4	25.4	21.1	18.8	15.1	12.7	6.8
1.70V/cell	188.8	155.1	134.6	108.1	83.3	69.3	43.7	33.0	26.5	22.4	19.6	15.7	13.1	6.9
1.65V/cell	200.9	164.8	142.1	113.1	87.4	71.1	45.1	34.2	27.4	23.0	20.2	16.2	13.5	7.2
1.60V/cell	216.0	177.5	152.7	119.8	90.4	73.0	46.0	34.9	28.0	23.4	20.6	16.4	13.7	7.3