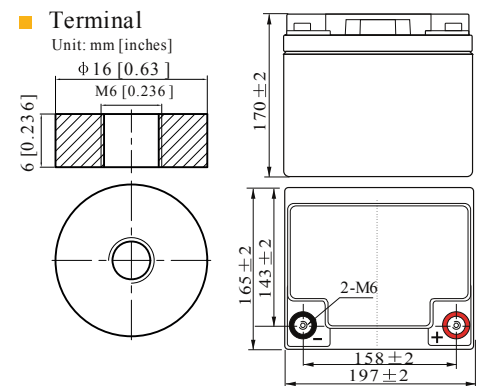


### Specification

Nominal Voltage	12V	
Nominal Capacity(20hrs rate)	40.0AH	
Dimension	Length	197 ± 2mm(7.76 inches)
	Width	165 ± 2mm(6.50 inches)
	Container Height	170 ± 2mm(6.69 inches)
	Total Height (with Terminal)	170 ± 2mm(6.69 inches)
Approx Weight	Approx 13.2 Kg (29.1 lbs)	
Design Float Life	12 years at 25°C(77°F)	
Container Material	ABS	
Rated Capacity	40.6AH/2.03A	(20hr, 1.80V/cell, 25°C/77°F)
	38.0AH/3.80A	(10hr, 1.80V/cell, 25°C/77°F)
	33.1AH/6.61A	( 5hr, 1.75V/cell, 25°C/77°F)
	29.6AH/9.88A	( 3hr, 1.75V/cell, 25°C/77°F)
	23.56AH/23.56A	( 1hr, 1.60V/cell, 25°C/77°F)
Max. Discharge Current	456A (5s)	
Internal Resistance	Approx 10.0mΩ	
Operating Temp.Range	Discharge :	-15~50°C (5~120°F)
	Charge :	0~40°C (5~104°F)
	Storage :	-15~40°C (5~104°F)
Nominal Operating Temp. Range	25 ± 3°C (77 ± 5°F)	
Cycle Use	Initial Charging Current less than 11.4A.Voltage	
	14.4V~15.0V at 25°C(77°F)Temp. Coefficient -30mV/°C	
Standby Use	No limit on Initial Charging Current Voltage	
	13.5V~13.8V at 25°C(77°F)Temp. Coefficient -20mV/°C	
Capacity affected by Temperature	40°C (104°F)	103%
	25°C ( 77°F)	100%
	0°C ( 32°F)	86%
Self Discharge	≤1.5% per month	
	RUZET LPG series batteries may be stored for up to 6 months at 25°C(77°F) and then a freshening charge is required.	



### Applications

- UPS and EPS
- Emergency light
- Railway signal and aircraft signal system
- Marine and power stations Alarm and security system
- Electronic apparatus and equipment
- Communication power supply, DC power supply

### Constant Current Discharge (Amperes) at 25 °C (77°F)

F.V/Time	10min	15min	20min	30min	45min	1h	2h	3h	4h	5h	6h	8h	10h	20h
1.85V/cell	44.5	37.4	33.2	27.5	21.2	18.2	11.8	8.84	7.24	6.09	5.34	4.28	3.68	1.96
1.80V/cell	50.9	42.0	36.7	29.9	22.9	19.2	12.6	9.50	7.70	6.46	5.66	4.51	3.80	2.03
1.75V/cell	57.8	47.3	40.5	32.5	25.0	20.9	13.1	9.88	7.97	6.61	5.83	4.66	3.90	2.08
1.70V/cell	65.3	52.5	44.7	35.5	26.9	22.1	13.9	10.4	8.32	6.99	6.11	4.85	4.05	2.14
1.65V/cell	70.1	56.2	47.6	37.4	28.5	22.9	14.4	10.8	8.65	7.21	6.33	5.02	4.17	2.20
1.60V/cell	77.1	61.6	51.7	39.9	29.6	23.6	14.7	11.1	8.84	7.39	6.46	5.11	4.25	2.24

### Constant Power Discharge (Watts) at 25 °C (77°F)

F.V/Time	10min	15min	20min	30min	45min	1h	2h	3h	4h	5h	6h	8h	10h	20h
1.85V/cell	79.1	67.1	60.2	50.5	39.2	33.7	22.0	16.6	13.6	11.5	10.1	8.13	7.01	3.74
1.80V/cell	89.4	74.4	65.6	54.0	42.0	35.4	23.4	17.7	14.4	12.1	10.7	8.53	7.22	3.87
1.75V/cell	99.9	82.9	71.8	58.2	45.4	38.4	24.3	18.3	14.9	12.3	10.9	8.80	7.41	3.96
1.70V/cell	110.4	90.7	78.7	63.1	48.8	40.5	25.5	19.2	15.5	13.1	11.4	9.16	7.69	4.06
1.65V/cell	117.4	96.3	83.1	66.1	51.1	41.6	26.4	20.0	16.0	13.4	11.8	9.45	7.90	4.18
1.60V/cell	/	103.8	89.2	70.1	52.9	42.7	26.9	20.4	16.4	13.7	12.0	9.62	8.05	4.24