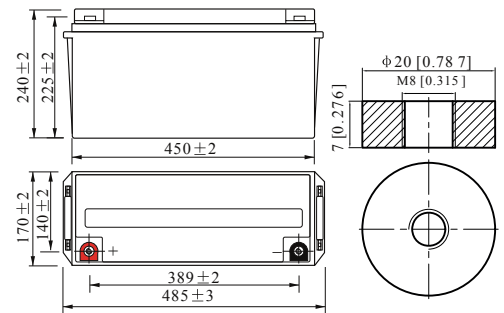


Specification

Nomial Voltage	12V	
Nomial Capacity(10hrs rate)	150.0AH	
Dimension	Length	485 ± 3mm(19.09 inches)
	Width	170 ± 2mm(6.69 inches)
	Container Height	240 ± 2mm(9.45 inches)
	Total Height (with Terminal)	240 ± 2mm(9.45 inches)
	Approx Weight	Approx 48.2 Kg (106.3 lbs)
Design Float Life	12 years at 25°C(77°F)	
Container Material	ABS	
Rated Capacity	160.5AH/8.03A	(20hr, 1.80V/cell, 25°C/77°F)
	150.0AH/15.0A	(10hr, 1.80V/cell, 25°C/77°F)
	130.5AH/26.1A	(5hr, 1.75V/cell, 25°C/77°F)
	117.0AH/39.0A	(3hr, 1.75V/cell, 25°C/77°F)
	93.0AH/93.0A	(1hr, 1.60V/cell, 25°C/77°F)
Max. Discharge Current	1500A (5s)	
Internal Resistance	Approx 3.7mΩ	
Operating Temp.Range	Discharge :	-15~50°C (5~120°F)
	Charge :	0~40°C (5~104°F)
	Storage :	-15~40°C (5~104°F)
Nominal Operating Temp. Range	25 ± 3°C (77 ± 5°F)	
Cycle Use	Initial Charging Current less than 30.0A.Voltage	
	14.4V~15.0V at 25°C(77°F)Temp. Coefficient -30mV/°C	
Standby Use	No limit on Initial Charging Current Voltage	
	13.5V~13.8V at 25°C(77°F)Temp. Coefficient -20mV/°C	
Capacity affected by Temperature	40°C (104°F)	103%
	25°C (77°F)	100%
	0°C (32°F)	86%
Self Discharge	≤1.5% per month	
	RUZET LPG series batteries may be stored for up to 6 months at 25°C(77°F) and then a freshening charge is required.	



■ Terminal
Unit: mm [inches]



Applications

- UPS and EPS
- Emergency light
- Railway signal and aircraft signal system
- Marine and power stations Alarm and security system
- Electronic apparatus and equipment
- Communication power supply, DC power supply

Constant Current Discharge (Amperes) at 25°C (77°F)

F.V/Time	10 min	15 min	20 min	30 min	45 min	1h	2h	3h	4h	5h	6h	8h	10h	20h
1.85V/cell	175.5	147.6	131.0	108.6	83.8	71.7	46.4	34.9	28.6	24.1	21.1	16.9	14.5	7.76
1.80V/cell	200.8	165.7	144.8	118.0	90.4	75.7	49.9	37.5	30.4	25.5	22.3	17.8	15.0	8.03
1.75V/cell	228.1	186.8	160.0	128.2	98.6	82.5	51.9	39.0	31.4	26.1	23.0	18.4	15.4	8.23
1.70V/cell	257.6	207.3	176.6	139.9	106.2	87.3	54.7	41.1	32.9	27.6	24.1	19.2	16.0	8.44
1.65V/cell	276.6	221.9	187.9	147.7	112.4	90.3	56.7	42.7	34.1	28.5	25.0	19.8	16.4	8.70
1.60V/cell	304.3	243.0	204.1	157.6	116.8	93.0	58.1	43.8	34.9	29.2	25.5	20.2	16.8	8.84

Constant Power Discharge (Watts) at 25°C (77°F)

F.V/Time	10 min	15 min	20 min	30 min	45 min	1h	2h	3h	4h	5h	6h	8h	10h	20h
1.85V/cell	312.1	265.1	237.6	199.2	155.1	133.1	86.8	65.4	53.8	45.3	39.9	32.1	27.7	14.8
1.80V/cell	353.0	293.7	258.9	213.1	165.9	139.7	92.7	69.9	56.9	47.9	42.1	33.7	28.5	15.2
1.75V/cell	394.5	327.1	283.3	229.6	179.2	151.6	96.0	72.5	58.7	48.9	43.2	34.8	29.2	15.6
1.70V/cell	435.6	357.8	310.5	249.3	192.4	159.9	100.9	76.1	61.1	51.5	45.2	36.2	30.4	16.0
1.65V/cell	463.5	380.2	327.8	261.1	201.8	164.3	104.0	78.9	63.3	53.1	46.7	37.3	31.1	16.5
1.60V/cell	498.5	409.6	352.3	276.6	208.6	168.3	106.1	80.5	64.6	54.1	47.5	37.9	31.7	16.8