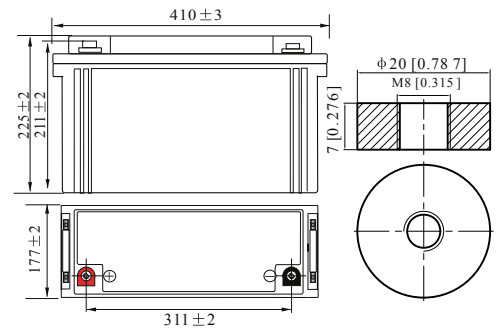


Specification

Nominal Voltage	12V		
Nominal Capacity(10hrs rate)	120.0AH		
Dimension	Length	410±3mm(16.14 inches)	
	Width	177±2mm(6.97 inches)	
	Container Height	225±2mm(8.86 inches)	
	Total Height (with Terminal)	225±2mm(8.86 inches)	
Approx Weight	Approx 37.6 Kg (82.9 lbs)		
Design Float Life	12 years at 25°C(77°F)		
Container Material	ABS		
Rated Capacity	128.4AH/6.42A	(20hr, 1.80V/cell, 25°C/77°F)	
	120.0AH/12.0A	(10hr, 1.80V/cell, 25°C/77°F)	
	104.4AH/20.88A	(5hr, 1.75V/cell, 25°C/77°F)	
	93.6AH/31.2A	(3hr, 1.75V/cell, 25°C/77°F)	
Max. Discharge Current	74.4AH/74.4A	(1hr, 1.60V/cell, 25°C/77°F)	
	1300A (5s)		
Internal Resistance	Approx 3.7mΩ		
Operating Temp. Range	Discharge :	-15~50°C (5~120°F)	
	Charge :	0~40°C (5~104°F)	
	Storage :	-15~40°C (5~104°F)	
Nominal Operating Temp. Range	25±3°C (77±5°F)		
Cycle Use	Initial Charging Current less than 36.0A. Voltage		
	14.4V~15.0V at 25°C(77°F)Temp. Coefficient -30mV/°C		
Standby Use	No limit on Initial Charging Current Voltage		
	13.5V~13.8V at 25°C(77°F)Temp. Coefficient -20mV/°C		
Capacity affected by Temperature	40°C (104°F)	103%	
	25°C (77°F)	100%	
	0°C (32°F)	86%	
Self Discharge	≤1.5% per month		
	RUZET LPG series batteries may be stored for up to 6 months at 25°C(77°F) and then a freshening charge is required.		



■ Terminal
Unit: mm [inches]



Applications

- UPS and EPS
- Emergency light
- Railway signal and aircraft signal system
- Marine and power stations Alarm and security system
- Electronic apparatus and equipment
- Communication power supply, DC power supply

Constant Current Discharge (Amperes) at 25°C (77°F)

F.V/Time	10 min	15 min	20 min	30 min	45 min	1h	2h	3h	4h	5h	6h	8h	10h	20h
1.85V/cell	140.4	118.1	104.8	86.9	67.0	57.4	37.1	27.9	22.9	19.2	16.9	13.5	11.6	6.20
1.80V/cell	160.7	132.6	115.8	94.4	72.3	60.5	39.9	30.0	24.3	20.4	17.9	14.2	12.0	6.42
1.75V/cell	182.5	149.4	128.0	102.5	78.9	66.0	41.5	31.2	25.2	20.9	18.4	14.7	12.3	6.58
1.70V/cell	206.1	165.8	141.3	112.0	85.0	69.8	43.7	32.8	26.3	22.1	19.3	15.3	12.8	6.75
1.65V/cell	221.3	177.5	150.3	118.1	89.9	72.2	45.3	34.2	27.3	22.8	20.0	15.9	13.2	6.96
1.60V/cell	243.5	194.4	163.3	126.1	93.4	74.4	46.5	35.0	27.9	23.3	20.4	16.1	13.4	7.07

Constant Power Discharge (Watts) at 25°C (77°F)

F.V/Time	10 min	15 min	20 min	30 min	45 min	1h	2h	3h	4h	5h	6h	8h	10h	20h
1.85V/cell	249.7	212.1	190.1	159.3	124.0	106.5	69.4	52.4	43.1	36.3	31.9	25.7	22.1	11.8
1.80V/cell	282.4	235.0	207.1	170.5	132.8	111.8	74.1	55.9	45.5	38.3	33.6	27.0	22.9	12.2
1.75V/cell	315.6	261.6	226.7	183.7	143.4	121.3	76.8	58.0	47.0	39.1	34.6	27.8	23.4	12.5
1.70V/cell	348.5	286.3	248.4	199.5	153.9	128.0	80.8	60.9	49.0	41.2	36.2	29.0	24.3	12.9
1.65V/cell	370.9	304.2	262.3	208.8	161.4	131.4	83.2	63.1	50.7	42.4	37.3	29.9	25.0	13.2
1.60V/cell	398.8	327.7	281.8	221.2	166.9	134.7	85.0	64.4	51.6	43.3	38.0	30.3	25.4	13.4