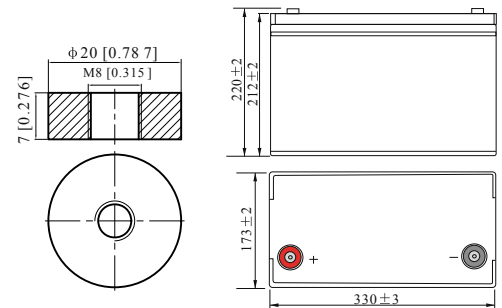


Specification

Nominal Voltage	12V	
Nominal Capacity(10hrs rate)	100.0AH	
Dimension	Length	330 ±3mm(12.99inches)
	Width	173 ±2mm(6.81inches)
	Container Height	212± 2mm(8.35 inches)
	Total Height (with Terminal)	220± 2mm(8.66 inches)
Approx Weight	Approx 31.0 Kg (68.4 lbs)	
Design Float Life	12 years at 25°C(77°F)	
Container Material	ABS	
Rated Capacity	107.0AH/5.35A	(20hr, 1.80V/cell, 25°C/77°F)
	100.0AH/10.0A	(10hr, 1.80V/cell, 25°C/77°F)
	87.0AH/17.4A	(5hr, 1.75V/cell, 25°C/77°F)
	78.0AH/26.0A	(3hr, 1.75V/cell, 25°C/77°F)
	62.0AH/62.0A	(1hr, 1.60V/cell, 25°C/77°F)
Max. Discharge Current	1200A (5s)	
Internal Resistance	Approx 4.0mΩ	
Operating Temp.Range	Discharge :	-15~50°C (5~120°F)
	Charge :	0~40°C (5~104°F)
	Storage :	-15~40°C (5~104°F)
Nominal Operating Temp. Range	25 ± 3°C (77 ± 5°F)	
Cycle Use	Initial Charging Current less than 30.0A.Voltage 14.4V~15.0V at 25°C(77°F)Temp. Coefficient -30mV/°C	
Standby Use	No limit on Initial Charging Current Voltage 13.5V~13.8V at 25°C(77°F)Temp. Coefficient -20mV/°C	
Capacity affected by Temperature	40°C (104°F)	103%
	25°C (77°F)	100%
	0°C (32°F)	86%
Self Discharge	≤1.5% per month RUZET LPG series batteries may be stored for up to 6 months at 25°C(77°F) and then a freshening charge is required.	



■ Terminal
Unit: mm [inches]



Applications

- UPS and EPS
- Emergency light
- Railway signal and aircraft signal system
- Marine and power stations Alarm and security system
- Electronic apparatus and equipment
- Communication power supply, DC power supply

Constant Current Discharge (Amperes) at 25°C (77°F)

F.V/Time	10 min	15 min	20 min	30 min	45 min	1h	2h	3h	4h	5h	6h	8h	10h	20h
1.85V/cell	117.0	98.4	87.3	72.4	55.9	47.8	31.0	23.3	19.1	16.0	14.1	11.3	9.69	5.17
1.80V/cell	133.9	110.5	96.5	78.6	60.3	50.5	33.3	25.0	20.3	17.0	14.9	11.9	10.0	5.35
1.75V/cell	152.1	124.5	106.7	85.5	65.7	55.0	34.6	26.0	21.0	17.4	15.4	12.3	10.3	5.49
1.70V/cell	171.7	138.2	117.7	93.3	70.8	58.2	36.5	27.4	21.9	18.4	16.1	12.8	10.7	5.63
1.65V/cell	184.4	147.9	125.3	98.5	74.9	60.2	37.8	28.5	22.8	19.0	16.7	13.2	11.0	5.80
1.60V/cell	202.9	162.0	136.1	105.1	77.9	62.0	38.8	29.2	23.3	19.4	17.0	13.4	11.2	5.89

Constant Power Discharge (Watts) at 25°C (77°F)

F.V/Time	10 min	15 min	20 min	30 min	45 min	1h	2h	3h	4h	5h	6h	8h	10h	20h
1.85V/cell	208.1	176.8	158.4	132.8	103.3	88.8	57.8	43.6	35.9	30.3	26.6	21.4	18.5	9.8
1.80V/cell	235.3	195.8	172.6	142.1	110.6	93.1	61.7	46.7	37.9	31.9	28.0	22.5	19.1	10.2
1.75V/cell	263.1	218.0	188.9	153.1	119.5	101.1	64.0	48.3	39.1	32.6	28.9	23.1	19.5	10.4
1.70V/cell	290.4	238.6	207.0	166.3	128.3	106.7	67.2	50.8	40.8	34.4	30.2	24.1	20.2	10.7
1.65V/cell	309.1	253.5	218.6	174.0	134.5	109.5	69.3	52.6	42.2	35.3	31.1	24.9	20.8	11.1
1.60V/cell	332.3	273.1	234.9	184.4	139.1	112.2	70.8	53.7	43.1	36.1	31.7	25.2	21.1	11.1